



# Standard Specification for In-Service Care of Insulating Gloves and Sleeves<sup>1</sup>

This standard is issued under the fixed designation F496; the number immediately following the designation indicates the year of original adoption or, in the case of revision, the year of last revision. A number in parentheses indicates the year of last reappraisal. A superscript epsilon ( $\epsilon$ ) indicates an editorial change since the last revision or reappraisal.

## 1. Scope

1.1 This specification covers the in-service care, inspection, testing, and use voltage of insulating gloves and sleeves for protection from electrical shock.

1.2 The values stated in SI units are to be regarded as the standard. See IEEE/ASTM SI-10.

1.3 The following safety hazards caveat pertains only to the test method portion, Sections 6 and 7, of this specification. *This standard does not purport to address all of the safety concerns, if any, associated with its use. It is the responsibility of the user of this standard to establish appropriate safety and health practices and determine the applicability of regulatory limitations prior to use.* For a specific warning statement, see 7.2.

## 2. Referenced Documents

### 2.1 ASTM Standards:<sup>2</sup>

D120 Specification for Rubber Insulating Gloves

D1051 Specification for Rubber Insulating Sleeves

D2865 Practice for Calibration of Standards and Equipment for Electrical Insulating Materials Testing

F696 Specification for Leather Protectors for Rubber Insulating Gloves and Mittens

F819 Terminology Relating to Electrical Protective Equipment for Workers

F1236 Guide for Visual Inspection of Electrical Protective Rubber Products

### 2.2 ANSI Standards:

C 39.5 Safety Requirements for Electrical and Electronic Measuring and Controlling Instrumentation<sup>3</sup>

IEEE/ASTM SI-10 Standard for Use of the International System of Units (SI): The Modern Metric System<sup>2</sup>

<sup>1</sup> This specification is under the jurisdiction of ASTM Committee F18 on Electrical Protective Equipment for Workers and is the direct responsibility of Subcommittee F18.15 on Worker Personal Equipment.

Current edition approved Nov. 1, 2014. Published December 2014. Originally approved in 1977. Last previous edition approved in 2014 as F496 – 14. DOI: 10.1520/F0496-14A.

<sup>2</sup> For referenced ASTM standards, visit the ASTM website, www.astm.org, or contact ASTM Customer Service at service@astm.org. For *Annual Book of ASTM Standards* volume information, refer to the standard's Document Summary page on the ASTM website.

<sup>3</sup> Available from American National Standards Institute (ANSI), 25 W. 43rd St., 4th Floor, New York, NY 10036, http://www.ansi.org.

## 3. Significance and Use

3.1 Compliance with this specification should continue to provide personnel with insulating gloves and sleeves of known and acceptable quality after initial acceptance in accordance with Specifications D120 and D1051. The specifications herein are to be considered as minimum requirements.

3.2 A margin of safety shall be provided between the maximum use voltage and the voltage at which the gloves and sleeves are retested. The relationship between retest voltage and maximum use voltage at which the gloves and sleeves shall be used is shown in Table 1.

3.2.1 When work is not being performed on energized conductors or equipment, or both, any contact with energized conductors or equipment, or both, would be limited to the phase-to-ground potential. If gloves are the only protection used in such operations, the phase-to-ground voltage to which the gloves may be exposed shall be limited to the maximum use voltage of that class glove as listed in Table 1.

3.3 The user of these types of protective equipment shall be knowledgeable of and instructed in the correct and safe inspection and use of such equipment.

## 4. Terminology

### 4.1 Definitions:

4.1.1 *ozone*—a very active form of oxygen that may be produced by corona, arcing, or ultraviolet rays.

4.1.2 For definitions of other terms, refer to Terminology F819.

## 5. Classification

5.1 Gloves and sleeves covered under this specification are designated as Type I or Type II; Class 00, Class 0, Class 1, Class 2, Class 3, or Class 4.

5.1.1 *Type I*, nonresistant to ozone, made from a high-grade *cis*-1,4-polyisoprene rubber compound of natural or synthetic origin, properly vulcanized.

5.1.2 *Type II*, ozone resistant, made of any elastomer or combination of elastomeric compounds.

5.1.3 The electrical properties correspond to those shown in Table 1. The class designations are those specified in Specifications D120 and D1051.

TABLE 1 Voltage Requirements

Class Designation of Glove or Sleeve	Maximum AC Use Voltage rms, V	AC Retest Voltage rms, V	Maximum DC Use Voltage avg, V	DC Retest Voltage avg, V
00	500	2 500	750	10 000
0	1 000	5 000	1 500	20 000
1	7 500	10 000	11 250	40 000
2	17 000	20 000	25 500	50 000
3	26 500	30 000	39 750	60 000
4	36 000	40 000	54 000	70 000

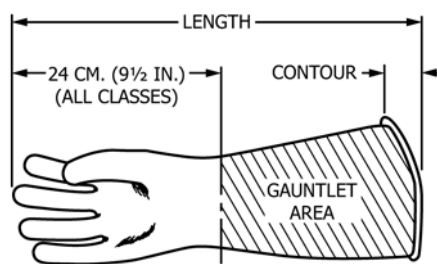


FIG. 1 Rubber Glove—Gauntlet Area (All Classes)

6. Inspection and Testing at an Electrical Testing Facility

6.1 The recommended sequence of inspection and testing of gloves and sleeves at an electrical testing facility is:

- 6.1.1 Check-in, washing, and preliminary inspection,
- 6.1.2 Repair,
- 6.1.3 Electrical test,
- 6.1.4 Drying,
- 6.1.5 Final inspection,
- 6.1.6 Record-keeping and marking, and
- 6.1.7 Powdering, pairing, and packing for storage or shipment.

6.2 When gloves and sleeves are received at an electrical test facility, they should be checked in as soon as practicable to eliminate any folds, creases, and improper storage.

6.3 The gloves and sleeves shall be washed with a mild soap or mild detergent and water. After washing, the gloves and sleeves shall be thoroughly rinsed with water to remove all soap or detergent and dried. Mild household type chloride bleach may be used for disinfectant purposes. Soaps, detergents, and bleaches shall not be used at strengths that would attack or harm the rubber surface.

NOTE 1—The cleaning agent shall not degrade the insulating qualities of the gloves and sleeves.

NOTE 2—A commercial tumble-type washing machine may be used, but caution must be observed to eliminate any interior surfaces or edges that will cut, abrade, puncture, or pinch the gloves and sleeves.

NOTE 3—Gloves and sleeves may be suspended to allow drainage and air circulation or dried in a commercial tumble-type automatic dryer. In an automatic dryer, caution must be observed to eliminate any ozone or ultraviolet lamps and interior surfaces that will cut, abrade, puncture, or pinch the gloves and sleeves.

6.4 Prior to the electrical test, gloves and sleeves should be given a preliminary inspection for punctures, tears, cuts, bruises, ozone cutting or checking, or any other obvious conditions that would adversely affect performance. (See Guide F1236). If any of these conditions are found, the glove or sleeves shall be rejected, or repaired in accordance with Section 10. Minor surface corona cutting or ozone checking in the gauntlet area, (See Fig. 1), above the water line, need not be cause for rejection.

6.5 The gloves and sleeves shall be tested in accordance with Section 7.

6.6 The gloves and sleeves shall not be air-dried with an air temperature in excess of 65 °C (150 °F).

6.7 The gloves and sleeves shall be given a detailed inspection over their entire surface for physical defects and ozone

damage. (See Guide F1236). They may be turned inside out for inside inspection, but only for the duration of the inspection. They may be inflated with air to enhance the identification of small defects, but caution shall be exercised to avoid over-inflation (see Note 10). This detailed inspection may be performed prior to the electrical tests, where it can be demonstrated that the electrical testing process does not cause ozone damage.

6.8 The inside surface of gloves may be dusted with a powder. Gloves and sleeves should be sorted by pairs and packed in accordance with Section 8 for field care, inspection, and storage.

7. Electrical Tests

7.1 Electrically retest gloves or sleeves issued for service. Base the interval between date of issue and retests on work practices and test experience. It shall not exceed 6 months for gloves and twelve months for sleeves. Gloves or sleeves that have been electrically tested but not issued for service shall not be placed into service unless they have been electrically tested within the previous twelve months.

7.1.1 Each glove or sleeve shall withstand the 50-Hz or 60-Hz ac retest voltage (rms value) or the dc retest voltage (average value) specified in Table 1. The test voltage shall be applied continuously for not less than 1 min and not more than 3 min.

7.1.2 The insulating gloves tested by the ac method shall also meet the requirements of Table 2.

7.2 **Warning**—The test apparatus should be designed to afford the operator full protection in the performance of his duties. Reliable means of de-energizing and grounding the high-voltage circuit should be provided. It is particularly important to incorporate positive means of grounding the high-voltage section of dc test apparatus due to the likely presence of high-voltage capacitance charges at the conclusion of the test. See ANSI C39.5.

7.2.1 The equipment shall be inspected at least annually to ensure that the general condition of the equipment is acceptable and to verify the characteristics and accuracy of the test voltages.

7.2.2 To eliminate damaging ozone and possible flashover along the glove cuff or sleeve openings, there should be a sufficient flow of air into and around the glove or sleeve and an exhaust system to adequately remove ozone from the test machine. Consistent ozone cutting and checking during the test procedure should be cause to ascertain the adequacy of the exhaust system.

TABLE 2 AC Proof-Test Current, max, mA

Class Designation of Glove	Retest Voltage, max	Glove, 280 mm (11 in.)		Glove, 360 mm (14 in.)		Glove, 410 mm (16 in.)		Glove, 460 mm (18 in.)	
		50Hz	60Hz	50Hz	60Hz	50Hz	60Hz	50Hz	60Hz
		A		A		A		A	
00	2 500	6.7	8	10	12	A	A	A	A
0	5 000	6.7	8	10	12	11.7	14	13.3	16
1	10 000	—	—	11.7	14	13.3	16	15	18
2	20 000	—	—	13.3	16	15	18	16.7	20
3	30 000	—	—	15	18	16.7	20	18.3	22
4	40 000	—	—	—	—	18.3	22	20	24

<sup>A</sup> Not applicable.

7.3 Industries, such as telecommunications, that utilize insulating gloves as precautionary protection against unintentional contact with energized conductors, may increase the maximum interval between issue and retest to nine months.

7.4 Both ac and dc voltage retest methods are included and either method may be selected for electrical testing.

7.5 Glove Tests:

7.5.1 Perform all electrical tests on clean gloves and at normal room temperatures. Fill the gloves, right side out, with conductive, clean water and immerse to a depth in compliance with Table 3 for the retest voltage to be used. The water level during the test shall be the same inside and outside the gloves. Connect the water inside the glove, which forms one test electrode, and the water in the tank outside the glove, which forms the other electrode, to the opposite terminals of the high-voltage source. The water should be free of air bubbles and air pockets inside or outside the glove and the exposed portion of the glove above the water line shall be dry.

7.5.2 Insulating gloves being retested by the ac method shall meet the requirements of Table 2. If the proof test current is in excess of these limits, the glove shall be rejected.

NOTE 4—For further details on recommended equipment and procedures, refer to Specification D120.

7.6 Sleeve Tests— Perform all electrical tests on clean sleeves right side out and at normal room temperature. Seven methods of mounting sleeves are described in the following sections, with test limitations on some of the methods. Both ac and dc proof-test procedures are included in this section. In each of the six test methods, the inner and outer electrodes shall be connected to the opposite terminals of the high-voltage source. Electrode to electrode clearances shall be as specified in Table 3.

7.6.1 Electrodes:

TABLE 3 Flashover Clearances Between Electrodes<sup>A</sup>

Class Designation, Glove or Sleeve	AC Retest		DC Retest	
	in.	mm	in.	mm
00	3	76	3	76
0	3	76	3	76
1	3	76	4	102
2	5	127	6	152
3	7	178	8	203
4	10	254	12	305

<sup>A</sup> Flashover clearances are stated in terms of the shortest electrical air path between electrodes around the edge of the item being tested. In those cases where atmospheric conditions make the specified clearances impractical, the distance may be increased by the maximum of 51 mm (2 in.).

7.6.1.1 Water Electrodes, Inverted Mounting—In this method, invert the small end of the sleeve and pull through to the large end to form an annular trough as shown in cross section in Fig. 2. (see Note 5). Immerse the sleeve in water and fill the trough with water until the levels both inside and outside the trough are the same. Particular care should be taken to avoid any sharp folds in the sleeves as they may cause premature dielectric breakdown at these points.

NOTE 5—Use of this method may result in excessive breakdown failures when tested above 10 000 V ac or 50 000 V dc if the test apparatus does not conform with 7.2.2.

7.6.1.2 Water Electrodes, Sling Mounting—In this method, place a non-insulating pipe or rod at least 51 mm (2 in.) in diameter at about the midpoint between the cuff and underarm edge. The pipe or rod should be of sufficient weight to hold the sleeve down to prevent creasing and its length should be no less than the width of the sleeve. Immerse the sleeve in water with the rod in place and fill with water until the water levels are the same both inside and outside the sleeve, and the cuff and underarm edges are equidistant above the water line as shown in the cross section in Fig. 3 (see Note 5). Particular care should be taken to avoid any sharp folds in the sleeves as they may cause premature dielectric breakdown at these points.

7.6.1.3 Water Electrodes, Hammock Mounting—The sleeve shall be hung in the test machine so that the top of the shoulder area, the top of the underarm, and the cuff edge are all in a

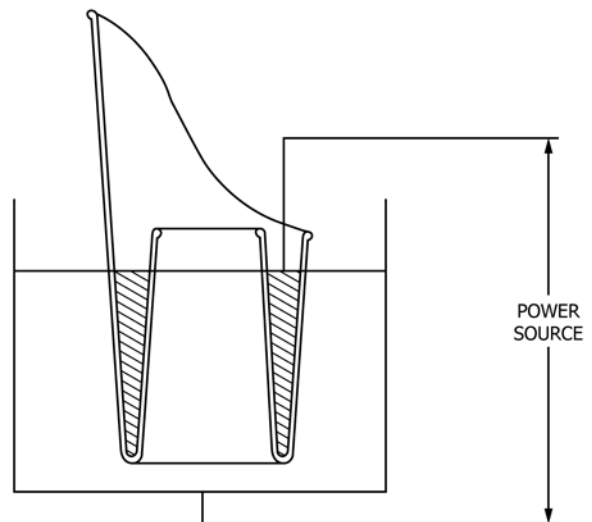


FIG. 2 Water Electrodes, Inverted Mounting

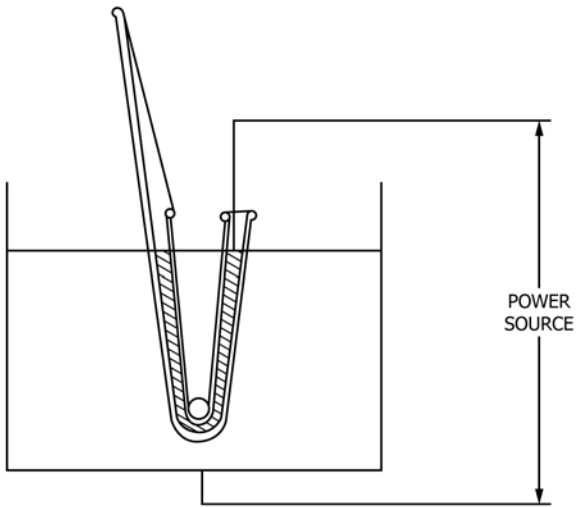


FIG. 3 Water Electrodes, Sling Mounting

7.6.1.4 *Water Electrodes Straight Mounting*—In these methods, a high-dielectric medium is used to separate and electrically isolate the water electrodes inside and outside the vertically mounted sleeve.

(1) *Straight Mounting, Liquid Cuff Seal* (see Fig. 5)—In this method, a high dielectric medium is used to separate and isolate the water electrodes inside and outside the vertically mounted sleeve. Place a layer of high dielectric strength liquid, having a specific gravity greater than 1.0 and insoluble in water, in the test tank to a depth of approximately 51 mm (2 in.) greater than the depth listed in Table 3. Then fill the tank with water to the desired level. Immerse the sleeve, with the cuff end first, into the water until the cuff end is below the interface between the two liquids, to a depth required to provide the flashover clearance shown in Table 3. The dielectric liquid separates and electrically insulates the inside water electrode from the outside water electrode. This mounting may be used for all voltages, both ac and dc.

NOTE 6—Some dielectric liquids are toxic in nature and therefore proper precautionary measures shall be followed. One satisfactory dielectric liquid is trichlorotrifluoroethane (Dielectric Grade). The rubber sleeve should be exposed to the trichlorotrifluoroethane for only the time needed to complete the test, as extended exposure time will cause temporary distortion of the rubber. Repeated testing may result in loss of dielectric strength due to water dielectric mixing, so separation time or other means may be needed. Care should be taken to prevent the sleeves from folding back out of the dielectric liquid. Hanger systems may be obtained from most test equipment manufacturers to facilitate the hammock mounting method.

(2) *Straight Mounting Mechanical Cuff Seal*—In this method, a mechanical seal is placed on the cuff of the sleeve to be tested. This device shall provide a tight, leakproof seal at the cuff and a high dielectric medium to separate and electrically isolate the inside water electrode from the outside water

horizontal plane, parallel to the surface of the water in the test tank (see Fig. 4). The test equipment holding or supporting the sleeve under test should be of such design that there is minimal stress created in the sleeve material. Place a rod or pipe across the top surface of the sleeve at approximately the midpoint between the cuff and underarm edge. The pipe or rod shall be noninsulating, at least 51 mm (2 in.) in diameter, and of sufficient weight to hold the sleeve down to prevent creasing. The length of the pipe or rod shall be no less than the width of the sleeve. Fill the sleeve with water and immerse the sleeve to the test position, allowing for proper flashover clearance for the test voltage used. In so far as practical, the water levels should be the same both on the inside and outside of the sleeve, and the top of the shoulder area, the top of the underarm, and the cuff edge are equidistant above the water line (see Fig. 4). Particular care shall be taken to avoid any sharp folds or areas of stress in the sleeve, as they may cause premature dielectric breakdown or ozone cutting, or both, at these points (see Note 5).

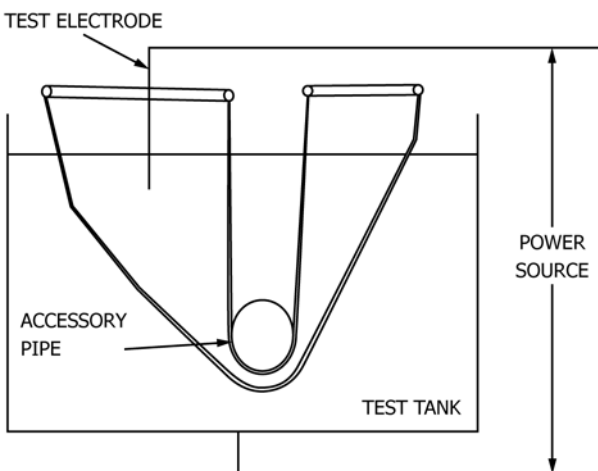


FIG. 4 Water Electrodes, Hammock Mounting

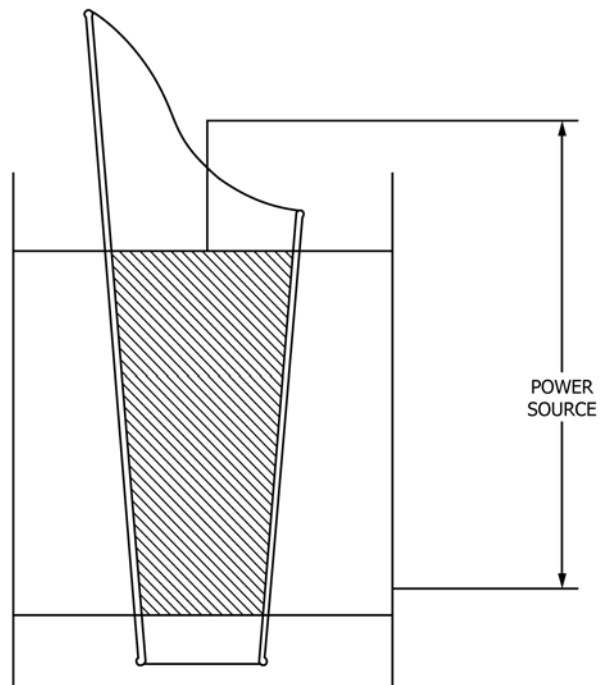


FIG. 5 Water Electrodes, Straight Mounting

electrode. The sleeve to be tested is then filled with water to meet the clearance requirements of [Table 3](#). The test arrangement shall provide that the sleeve stay essentially straight. This mounting may be used for all voltages, both ac and dc.

**7.6.1.5 Wet Sponge Electrodes**—A method utilizing sponge electrodes and masking may be used to retest sleeves as in [Fig. 6](#) and [Fig. 7](#). Use a grounded plate as the table. Place a 3.2-mm ( $\frac{1}{8}$ -in.) thick ozone-resistant sheet of insulating rubber with a 76-mm (3.0-in.) diameter hole on the table and place  $\frac{1}{8}$ -in. thick wet sponge or wet felt in the hole as the ground contact. Place a second 3.2-mm ( $\frac{1}{8}$ -in.) thick ozone-resistant sheet of insulating rubber, with the shape of the sleeve cut out of its surface, on top of the first sheet. Place a 51-mm (2.0-in.) thick wet sponge form, cut to fit inside the sleeve. This inside sponge electrode should be 63 mm (2.5 in.) shorter on each end than the sleeve being tested. Place a wet felt or sponge cloth outer electrode, designed to cover the outside of the sleeve, on the cut out blanket making contact with the ground. Then place the sleeve encasing the sponge in position on the wet felt or sponge which is wrapped around the sleeve. Place an ozone-resistant mask of insulating rubber, 127 mm (5.0 in.) wide and 3.2 mm ( $\frac{1}{8}$  in.) thick, in the undercut of the arms, 51 mm (2.0 in.), to extend the flashover distance in this area. Extend an energizing lead from the voltage source to the inside electrode in the sleeve. Cutouts and electrodes can be made in multiples to test more than one sleeve at a time (See [7.2.2](#)).

**NOTE 7**—Use of this method with present technology may result in excessive breakdown failures when testing Type I sleeves at voltages above 20 kVAC.

**7.6.1.6 Dry Electrodes, Straight Mounting**—In this method, the electrodes consist of two electrically conductive plates or shapes, constructed to conform closely to the inside and

outside of the sleeve. Round any edges on these shapes so as to eliminate sharp nicks and protuberances. Draw the sleeve snugly and without stretching over the inner electrode and place the outer electrode around it and adjust to a snug fit as shown in the cross section in [Fig. 8](#). For versatility in testing sleeves of different sizes, the electrodes can be made longer than those indicated, in which case masking the edges with a nonconductive material will permit testing of larger areas of the sleeve. This method should not be used for ac testing of Type I sleeves because of potential ozone generation.

**7.7 AC Test:**

**7.7.1 Voltage Supply and Regulation:**

**7.7.1.1** The voltage supply and its control equipment shall be of such size and design that, with the items under test in the circuit, the crest factor (ratio of maximum to mean effective) of the test voltage shall not differ by more than 5 % from that of a sinusoidal wave over the upper half of the range of the test voltage.

**7.7.1.2** The accuracy of the voltage measuring circuit shall be within  $\pm 1$  kV of the test voltage. The ac voltage applied to the test specimen shall be measured with either an ac voltmeter (RMS or average responding) or a peak responding voltmeter calibrated to  $\text{pk}/\text{SQRT}2$  using one of the following methods: (1) a voltmeter used in conjunction with a calibrated instrument transformer connected directly across the high-voltage circuit, (2) a calibrated electrostatic voltmeter connected directly across the high-voltage circuit, or (3) an ac voltmeter connected in series with appropriate high-voltage type resistors directly across the high-voltage circuit. To ensure the continued accuracy of the test voltage, as indicated by the test equipment voltmeter, calibrate the test equipment at least annually, in accordance with Practice [D2865](#).



**FIG. 6 Wet Sponge Electrode Method**



FIG. 7 Wet Sponge Electrode Method

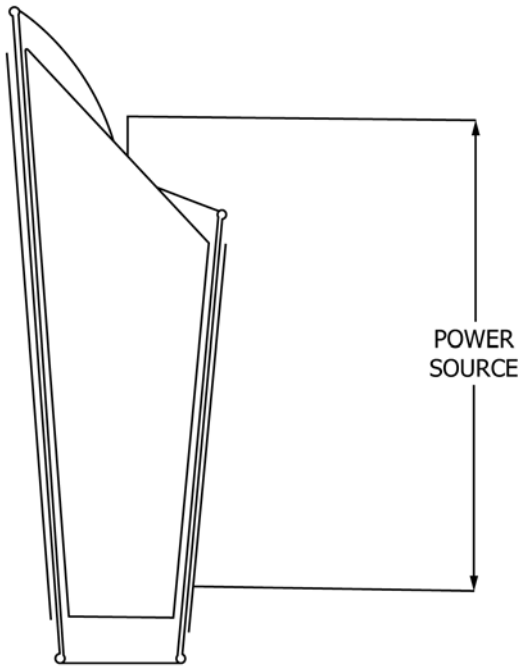


FIG. 8 Dry Electrodes, Straight Mounting

NOTE 8—It is recommended that the retest voltage should be applied initially at a low value and increased at 1000 V/s so as to avoid possible damage to gloves and sleeves. Unless an electrical puncture has already occurred, the applied voltage should be reduced to at least half value at the end of the test period before opening the test circuit.

7.8 DC Test:

7.8.1 Voltage Supply and Regulation—

7.8.1.1 The dc test voltage can be obtained from a source capable of supplying a dc voltage whose peak to peak ac ripple component does not exceed 2 % of the average voltage value under no-load conditions.

7.8.1.2 Measure the dc test voltage by a method that provides the average value of the voltage applied to the test specimen. It is recommended that the voltage be measured by the use of a dc meter connected in series with appropriate high-voltage-type resistors across the high-voltage circuit. The accuracy of the voltage-measuring circuit shall be within  $\pm 1$  kV of the test voltage. Calibrate the test equipment at least annually, in accordance with Practice D2865.

7.8.2 DC Retest—Give each glove or sleeve an electrical retest in accordance with the requirements of 7.1.1.

NOTE 9—The dc retest voltage should be applied in the same manner as for ac retest voltage, except with a rate-of-rise of approximately 3000 V/s.

8. Field Care, Inspection, and Storage

8.1 The field care and inspection of electrical insulating gloves and sleeves, performed by the individual, is an important requirement in providing protection from electric shock. Defective or suspected defective gloves and sleeves shall not be used but returned to an electrical testing facility for inspection and retest. Gloves or sleeves shall not be bundled together with tape.

7.7.1.3 The crest factor may be checked by the use of a peak-reading voltmeter connected directly across the high-voltage circuit.

7.7.2 AC Retest—Give each glove or sleeve an electrical retest in accordance with the requirements of 7.1.1. Start the test period at the instant that the prescribed testing voltage is reached.

8.2 Insulating gloves and sleeves shall be visually inspected by the wearer for defects. Gloves shall be air-tested before use each day and at other times if there is cause to suspect any damage. They shall be inspected over the entire surface and shall be rolled gently between the hands to expose defects and imbedded materials.

8.3 Insulating gloves shall be given an air test by rolling the cuff tightly toward the palm in such a manner that air is entrapped inside the glove, or by using a mechanical inflator. When using the latter, care shall be taken to avoid over-inflation. The glove shall be examined for punctures and other defects. Puncture detection may be enhanced by listening for escaping air or holding the gloves against the worker's cheek to feel for escaping air. See Guide **F1236**.

*NOTE 10—Inflation Limits:*

*Type I*—No part of the glove or sleeve shall be stretched more than twice the normal size.

*Type II*—No part of the glove or sleeve shall be stretched more than 1.25 times the normal size.

8.4 Gloves and sleeves shall be wiped clean of any oil, grease, or other damaging substances as soon as practicable.

*NOTE 11*—Gloves and sleeves should be rinsed as necessary to remove perspiration. Excess water should be removed by being shaken out and the article then air dried.

8.5 A visual inspection of gloves and sleeves shall be made in the field by a designated person to determine that such equipment is being maintained in a satisfactory condition by the user. The frequency of this inspection shall be at intervals of not more than six months.

8.6 Gloves and sleeves shall be stored in a location as cool, dark, and dry as possible. The location shall be as free as practicable from ozone, chemicals, oils, solvents, damaging vapors and fumes, and away from electrical discharges and sunlight. Gloves shall be stored in their natural shape. Gloves may be kept inside of protectors or in a bag, box, or container that is designed for and used exclusively for them. Gloves and sleeves shall not be stored folded, creased, inside out, compressed, or in any manner that will cause stretching or compression. Sleeves may be loosely rolled lengthwise inside a sleeve rollup.

8.7 The protector gloves shall meet Specification **F696** and shall be worn over insulating gloves to prevent mechanical damage, except as provided in **8.7.4**.

8.7.1 The protector glove shall be sized and shaped so that the insulating glove shall not be deformed from its natural shape.

8.7.2 The top of the cuff of the protector glove shall be shorter than the rolled top of the cuff of the insulating glove by at least the distance specified in **Table 4**.

8.7.3 Protector gloves that have been used for any other purpose shall not be used to protect insulating gloves. Protector gloves shall not be used if they have holes, tears, or other defects that affect their ability to give mechanical protection to the insulating gloves. Care should be exercised to keep the protector gloves as free as possible from oils, greases, chemicals, and other materials that may injure the insulating gloves. Protector gloves that become contaminated with injurious materials to the extent that damage may occur to the insulating glove shall not be used as protector gloves unless they have been thoroughly cleansed of the contaminating substance. The inner surface of the protector gloves should be inspected for sharp or pointed objects; this inspection should be made as often as the rubber gloves are inspected.

8.7.4 Protector gloves may be omitted for Class 0 gloves, under limited use conditions, where small equipment and parts manipulation require unusually good finger dexterity. Under the same conditions, Class 00 gloves may be used without protectors, but only at voltages up to and including 250 V ac or 375 V dc. Other classes of gloves may be used without protector gloves for similar conditions only where the possibility of physical damage to the gloves is unlikely and provided the voltage class of the glove used is one class above the voltage exposure. Rubber insulating gloves that have been used without protectors shall not be used with protectors until given an inspection and electrical retest.

8.8 Cloth gloves may be worn inside of insulating gloves for warmth in cold weather and to absorb perspiration in hot weather.

8.9 Gloves and sleeves shall not be marked nor have any adhesive tapes or labels applied to them by other than authorized personnel.

8.10 Gloves and sleeves with any of the following defects shall not be used and shall be returned to an electrical testing facility for inspection and electrical retest:

8.10.1 Holes, tears, punctures, or cuts.

8.10.2 Ozone cutting or ozone checking.

8.10.3 Imbedded foreign objects.

8.10.4 Texture changes: swelling, softening, hardening, becoming sticky or inelastic.

8.10.5 Other defects that damage the insulating properties.

## 9. Rejection

9.1 Any glove or sleeve that fails to comply with the electrical retest requirements specified in **7.1.1** shall be rejected, or repaired in accordance with Section **10**.

9.2 Gloves or sleeves found upon inspection to have cuts, snags, cracks, burns, ozone cutting, ozone checking, swelling, abrasions, contamination from injurious materials, or have lost their normal elasticity, shall be rejected, or repaired in accordance with Section **10**. Minor surface corona cutting or ozone checking in the gauntlet area, above the water line, need not be cause for rejection.

## 10. Repairs

10.1 Physical defects in gloves or sleeves, such as abrasions, cuts, tears, or punctures which are minor in degree,

**TABLE 4 Distances Between Gauntlet and Cuff, min**

Class	Distance, min	
	mm	(in.)
0, 00	13	(½)
1	25	(1)
2	51	(2)
3	76	(3)
4	102	(4)

may be repaired by the application of a compatible patch. Minor surface blemishes may be corrected with a compatible liquid compound. Repairs shall not be made on top of previous repairs or on ozone damage. Patches and blemish repairs to gloves shall be restricted to the gauntlet area. No more than three patches shall be applied to one glove or sleeve.

10.2 Subsequent to any repair, gloves or sleeves shall be reinspected and retested in accordance with Sections 7 and 9.

NOTE 12—The permanence and reliability of any repair method should be established under working conditions and temperature extremes. This should be by extensive field testing before accepting a repair method and issuing any repaired gloves or sleeves for electrical protection. Any adopted repair method should be able to pass the physical and chemical tests in accordance with Section 19 of Specification D120.

## 11. Record-Keeping and Marking

11.1 Gloves and sleeves shall be marked to identify the type, class, and size.

11.2 The test procedures of the electrical test facility shall specify the test voltage for each class of glove to be tested or a record shall be kept of the voltage used in the test. A date specified as test or retest shall be either recorded or provided by marking or affixing a label to the glove or sleeve. The marking or labeling method and material shall not adversely affect the electrical or physical characteristics of the glove or sleeve or conflict with the manufacturer's original marking or labeling.

11.3 Gloves or sleeves that have been rejected and are not suitable for electrical service shall be defaced, cut, or otherwise marked and identified to indicate that they are not to be used for electrical service.

## 12. Keywords

12.1 electrical insulating gloves; electrical insulating sleeves; lineman; lineman protective equipment

*ASTM International takes no position respecting the validity of any patent rights asserted in connection with any item mentioned in this standard. Users of this standard are expressly advised that determination of the validity of any such patent rights, and the risk of infringement of such rights, are entirely their own responsibility.*

*This standard is subject to revision at any time by the responsible technical committee and must be reviewed every five years and if not revised, either reapproved or withdrawn. Your comments are invited either for revision of this standard or for additional standards and should be addressed to ASTM International Headquarters. Your comments will receive careful consideration at a meeting of the responsible technical committee, which you may attend. If you feel that your comments have not received a fair hearing you should make your views known to the ASTM Committee on Standards, at the address shown below.*

*This standard is copyrighted by ASTM International, 100 Barr Harbor Drive, PO Box C700, West Conshohocken, PA 19428-2959, United States. Individual reprints (single or multiple copies) of this standard may be obtained by contacting ASTM at the above address or at 610-832-9585 (phone), 610-832-9555 (fax), or service@astm.org (e-mail); or through the ASTM website (www.astm.org). Permission rights to photocopy the standard may also be secured from the Copyright Clearance Center, 222 Rosewood Drive, Danvers, MA 01923, Tel: (978) 646-2600; <http://www.copyright.com/>*